

PP12-12 SPECIFICATIONS



THE NEXT EVOLUTION IN TOWING TECHNOLOGY

The elecConnect PP12-12 adaptor represents the next step in our plug + play system allowing for an even easier and better looking install. The PP12-12 enables connection to your Elecbrakes brake controller for 12 pin vehicle to 12 pin trailer configurations without the need for custom wiring.

FEATURES & BENEFITS



UNMATCHED DURABILITY

Water proof, shock proof and dust proof.



NEAT & STREAMLINED

It's compact, user-friendly design removes bulky parts and cords.



THE NEXT EVOLUTION

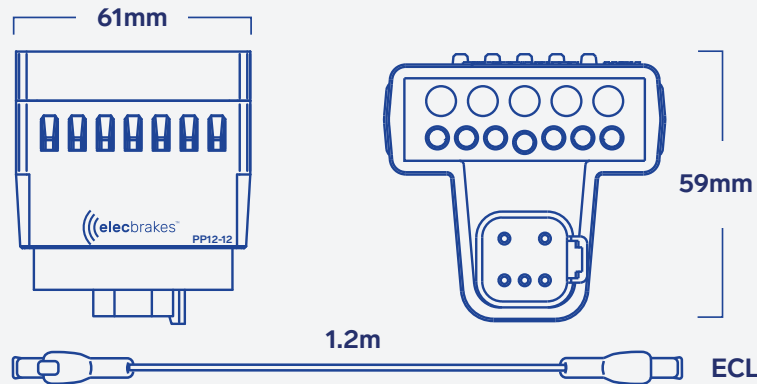
Rock solid connections are never in question.



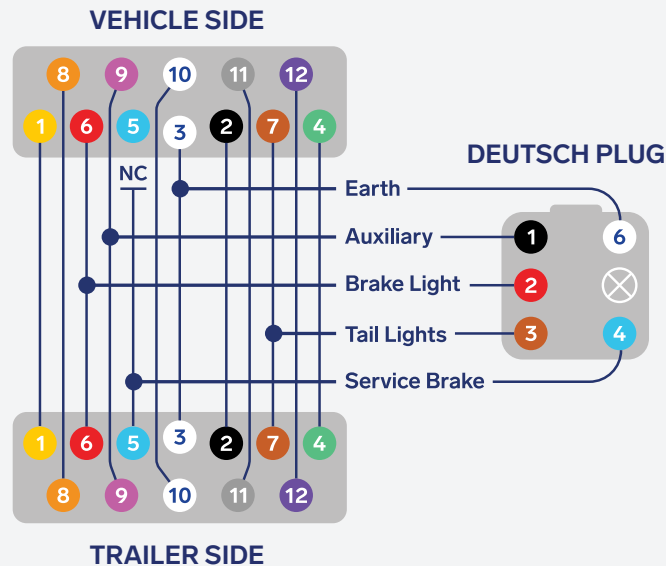
SMART INVESTMENT

No more hanging wires or looms.

DIMENSIONS

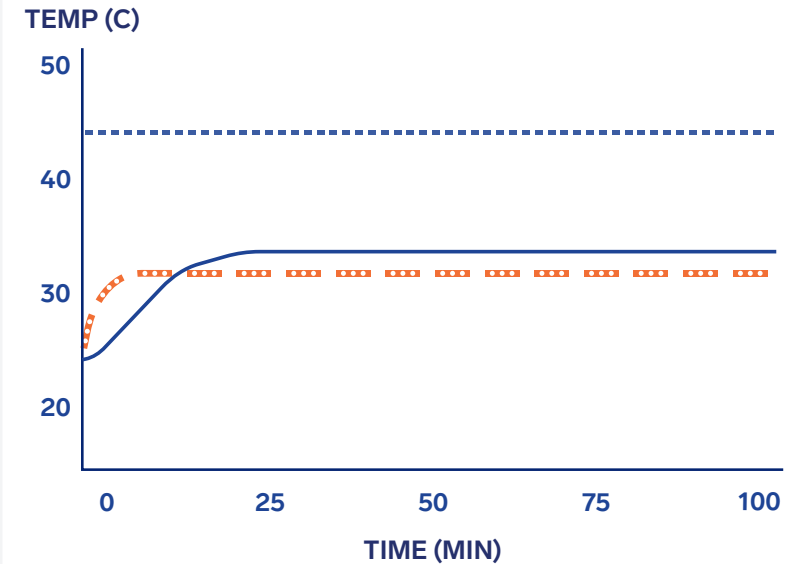


INTERNAL CONNECTIONS



15A CONSTANT LOAD / TEMPERATURE RISE:

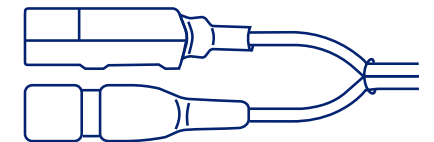
Comparing PP12-12 to 4MM, 28A single core cable.



--- Max allowable rise - - - 4mm single core cable — elecConnect PP12-12

SUGGESTION:

Cable tie your ECL and trailer cable together to significantly increase the pull out resistance.



CONTACT US:

Call: 1300 516 248 Email: info@elecbrakes.com or directly contact your National Sales Manager.

