



# elecConnect™



## PP7-7 SPECIFICATIONS

### FEATURES AND BENEFITS



#### UNMATCHED DURABILITY

Water proof, shock proof and dust proof



#### NEAT & STREAMLINED

Its compact, user-friendly design removes bulky parts and cords



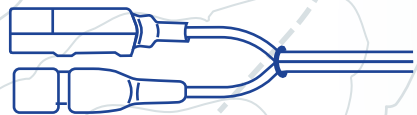
#### THE NEXT EVOLUTION

Rock solid connections are never in question



#### SMART INVESTMENT

No more hanging wires or looms



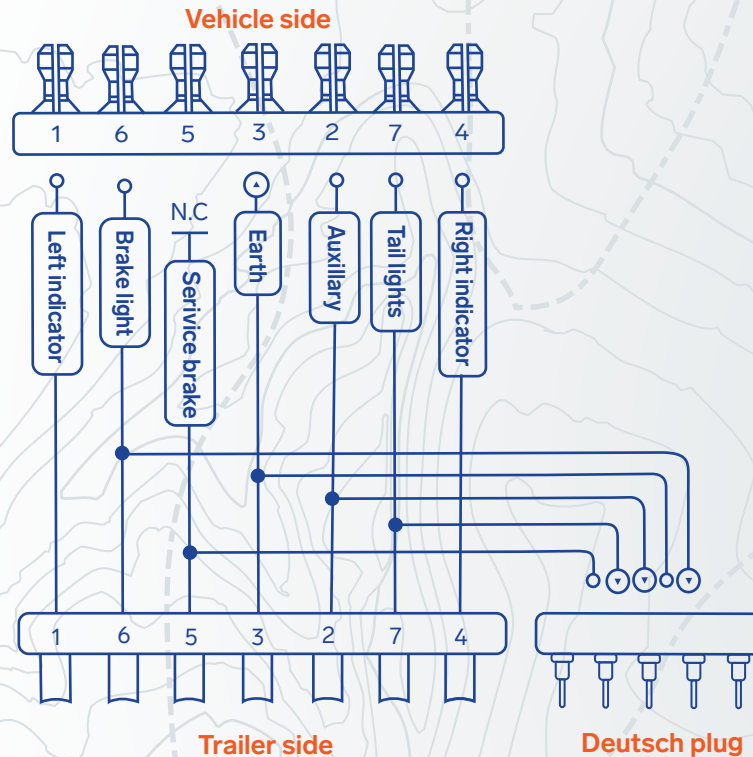
#### SUGGESTION:

Cable tie your ECL and trailer cable together to significantly increase the pull out resistance

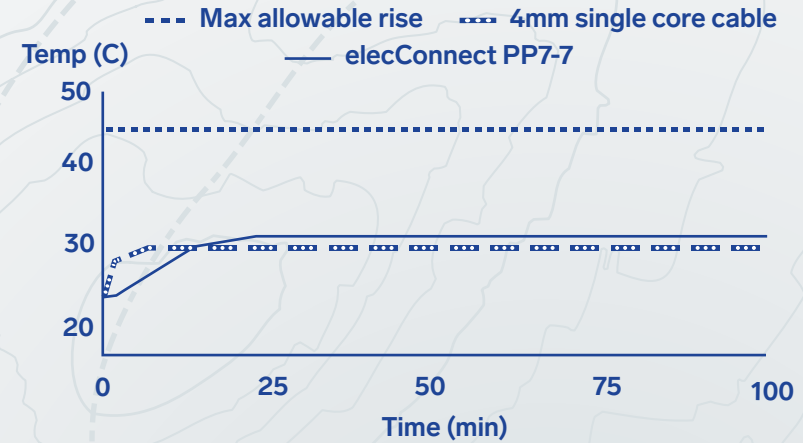
### The Next Evolution In Towing Technology!

The elecConnect PP7-7 adapter represents the next step in our plug + play system allowing for an even easier and better looking install. The PP7-7 enables connection to your Elecbrakes brake controller for 7pin vehicle to 7pin trailer configurations without the need for custom wiring.

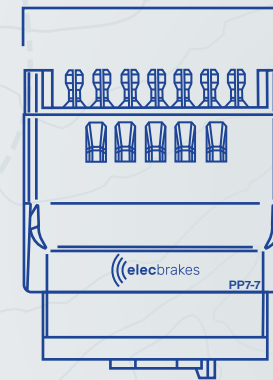
### INTERNAL CONNECTIONS



### 15A Constant Load / Temperature Rise: Comparing PP7-7 to 4MM, 28A single core cable

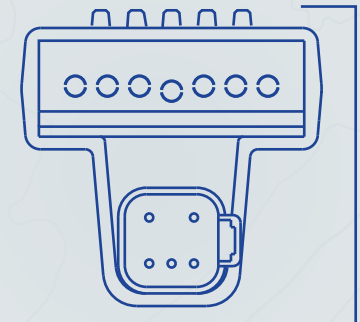


61mm



### DIMENSIONS

59mm



1.2m

ECL

